

# Showers

Trilogy Alcove 1000 x 1000	5.1.1
Trilogy Angle Corner 1000 x 1000	5.1.2
Trilogy Round Corner 1000 x 1000	5.1.3
Trilogy Square Corner 1000 x 1000	5.1.4

## Complete Shower Solutions.



## A Shower Experience Mother Nature Would Envy.

KOHLER® showers offer an integration of aesthetics, functionality and leading edge solutions. No longer are bathrooms simply a place for a quick wash, hidden behind four walls and a door, where the sole purpose is purely practical and aesthetics are largely ignored. A bathroom with a KOHLER® shower can make a strong design

statement or blend into the background. A fully integrated shower system, the Trilogy Tile Enclosure is comprised of a frameless door system, waterproofing wall system and tile tray.

The Trilogy shower is available as a Square Corner, Angle Corner and Alcove Shower.



### Care and Cleaning instructions for Shower Doors

- Never use an abrasive material such as a brush or scouring pad to clean surfaces.
- Do not let cleaners soak on surfaces.
- Use a shower squeegee to clean glass doors after showering.
- Rinse and wipe glass after cleaning to prevent soap build-up.

To avoid lime build up in hard water areas, wipe the product dry after each use, just as you would towel dry your hands with a soft cloth. To prevent scratching while cleaning, use a soft, dampened sponge or cloth.

**Product**

- Trilogy Alcove 1000 x 1000 left hand hinge
- Trilogy Alcove 1000 x 1000 right hand hinge

**AU Code**

- 115013
- 115014

**NZ Code**

- 527073
- 566221

**Kohler Code**

- 1037417-LL-CP
- 1037417-LR-CP



**Included Components**

- Tile tray
- Frameless door system
- Chrome door handle
- Waterproofing wall system

**Features**

- Available as a left hand or a right hand shower
- 8mm toughened safety glass
- 2 metre high doors and returns
- Satin chrome finish on retainers
- Polished chrome hinges and handles
- Tile tray has flat plane for easy tiling
- Hidden drain with tile ready cover
- Drain outlet located at front for easy cleaning
- Level entry or above floor installation

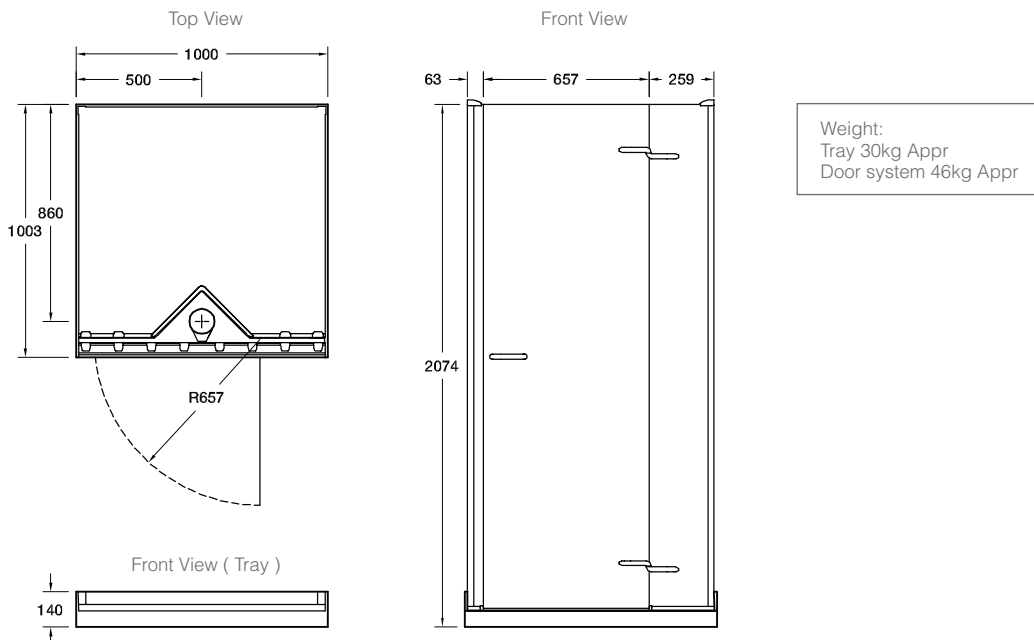
**Optional Accessories**

- Shower tapware (page 6.0.1)

**Related Products**

- Trilogy shower (page 5.0.1)

**Technical Details** ( Right hand hinge version shown )



**Installation Notes:**

- Tray can be installed above the ground with a stepped entry or below floor level with no step.
- Adhesive for attachment of tiles and adhesive for tray not included. We recommend the use of Mapei Keralastic or Sika Florbond 406 (available in New Zealand only).

## Product

- Trilogy Angle Corner 1000 x 1000 left hand hinge
- Trilogy Angle Corner 1000 x 1000 right hand hinge

## AU Code

115004  
115005

## NZ Code

527024  
566228

## Kohler Code

1037412-LL-CP  
1037412-LR-CP



## Included Components

- Tile tray
- Frameless door system
- Chrome door handle
- Waterproofing wall system

## Features

- Available as a left hand or a right hand shower
- 8mm toughened safety glass
- 2 metre high doors and returns
- Satin chrome finish on retainers
- Polished chrome hinges and handles
- Tile tray has flat plane for easy tiling
- Hidden drain with tile ready cover
- Drain outlet located at front for easy cleaning
- Level entry or above floor installation

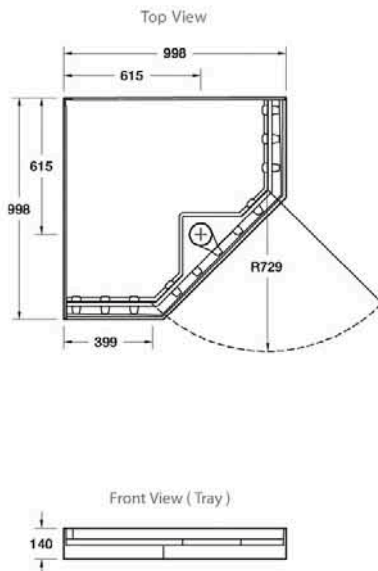
## Optional Accessories

- Shower tapware (page 6.0.1)

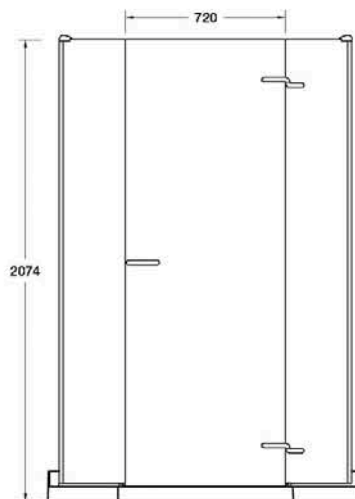
## Related Products

- Trilogy shower (page 5.0.1)

## Technical Details



## Front View



Weight:  
Tray 25kg Appr  
Door system 68kg Appr

## Installation Notes:

- Tray can be installed above the ground with a stepped entry or below floor level with no step.
- Adhesive for attachment of tiles and adhesive for tray not included. We recommend the use of Mapei Keralastic or Sika Florbond 406 (available in New Zealand only).

THE BOLD LOOK  
OF **KOHLER**

Jan 2010

Sizes are approximate.  
All measurements shown are in millimetres.

Australia  
[www.au.kohler.com](http://www.au.kohler.com)

New Zealand  
[www.kohler.co.nz](http://www.kohler.co.nz)

**Product**

- Trilogy Round Corner 1000 x 1000 left hand hinge
- Trilogy Round Corner 1000 x 1000 right hand hinge

**AU Code**

- 115010
- 115011

**NZ Code**

- 527071
- 566230

**Kohler Code**

- 1037415-LL-CP
- 1037415-LR-CP



**Included Components**

- Tile tray
- Frameless door system
- Chrome door handle
- Waterproofing wall system

**Features**

- Available as a left hand or a right hand shower
- 8mm toughened safety glass
- 2 metre high doors and returns
- Satin chrome finish on retainers
- Polished chrome hinges and handles
- Tile tray has flat plane for easy tiling
- Hidden drain with tile ready cover
- Drain outlet located at front for easy cleaning
- Level entry or above floor installation

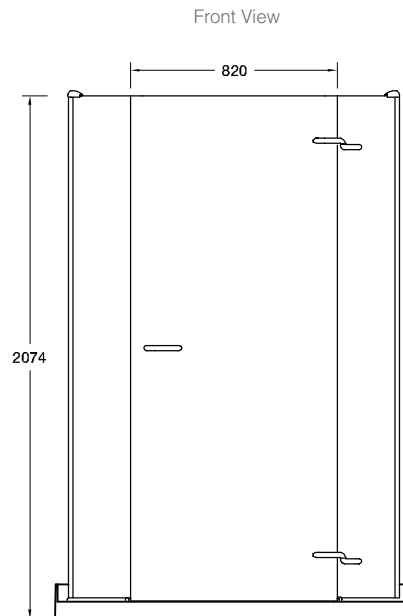
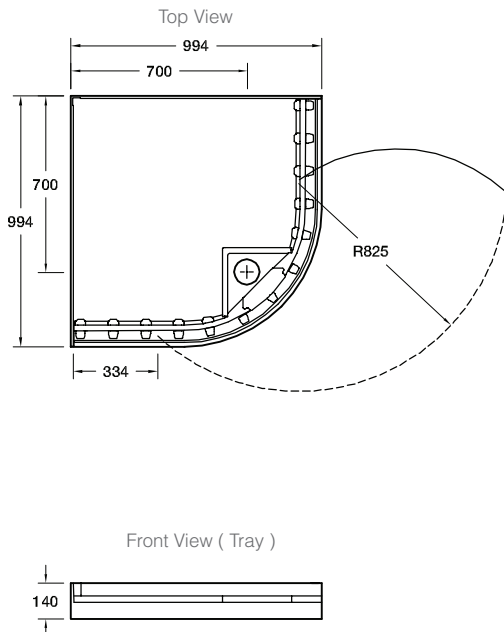
**Optional Accessories**

- Shower tapware (page 6.0.1)

**Related Products**

- Trilogy shower (page 5.0.1)

**Technical Details**



Weight:  
Tray 25kg Appr  
Door system 74 kg Appr

**Installation Notes:**

- Tray can be installed above the ground with a stepped entry or below floor level with no step.
- Adhesive for attachment of tiles and adhesive for tray not included. We recommend the use of Mapei Keralastic or Sika Florbond 406 (available in New Zealand only).

**Product**

- Trilogy Square Corner 1000 x 1000 left hand hinge
- Trilogy Square Corner 1000 x 1000 right hand hinge

**AU Code**

115006  
115007

**NZ Code**

527025  
566226

**Kohler Code**

1037413-LL-CP  
1037413-LR-CP



Right hand hinge version shown

**Included Components**

- Tile tray
- Frameless door system
- Chrome door handle
- Waterproofing wall system

**Features**

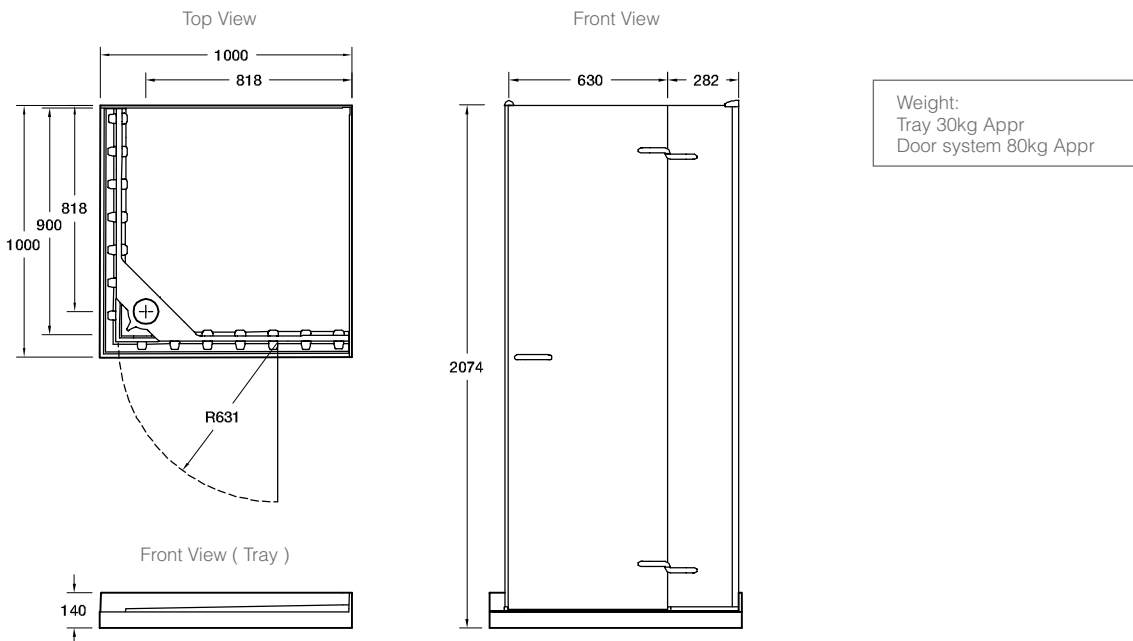
- Available as a left hand or a right hand shower
- 8mm toughened safety glass
- 2 metre high doors and returns
- Satin chrome finish on retainers
- Polished chrome hinges and handles
- Tile tray has flat plane for easy tiling
- Hidden drain with tile ready cover
- Drain outlet located at front for easy cleaning
- Level entry or above floor installation

**Optional Accessories**

- Shower tapware (page 6.0.1)

**Related Products**

- Trilogy shower (page 5.0.1)

**Technical Details****Installation Notes:**

- Tray can be installed above the ground with a stepped entry or below floor level with no step.
- Adhesive for attachment of tiles and adhesive for tray not included. We recommend the use of Mapei Keralastic or Sika Florbond 406 (available in New Zealand only).